

Electromagnetic Locks instructions

Factory Installed Options

M280 D GX

Function:

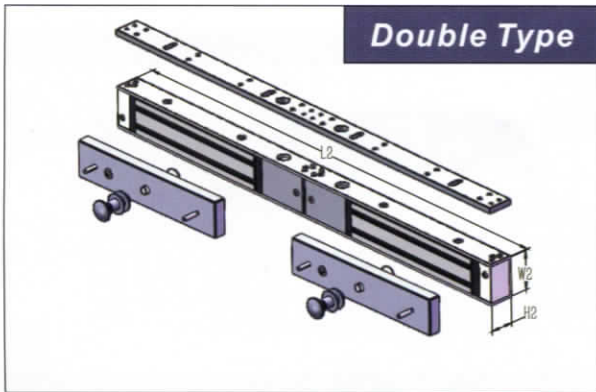
Type & Installation mode:

Magnetic lock Series:

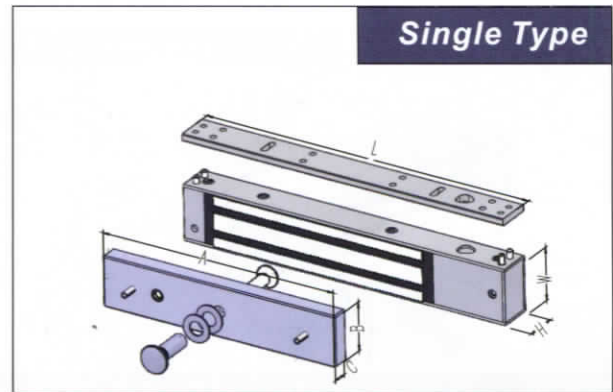
- GX 0-18 sec. time delay
 - F Lock Status Sensor: Indicates locked and unlocked. SPDT Dry, 3A @ 30VDC
 - GX2 Adjustable Timer for Power On : Built-in field adj. 0-18 sec. re-lock delay.
 - TF Adjustable Timer for Power On and Indicates locked and unlocked.SPDT Dry, 3A @ 30VDC
 - BZ Alarm.Adjustable Timer for Power On and Indicates locked and unlocked. SPDT Dry, 3A @ 30VDC
 - D Hanging Type&Double door
 - Hanging Type&Single door
 - A Mortise Mount Type
- 180/280/350/380/500

Hanging Type

Electromagnetic Locks Feature



Double Type



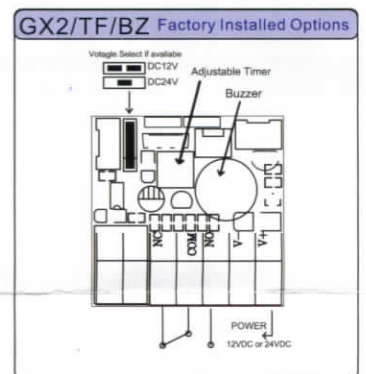
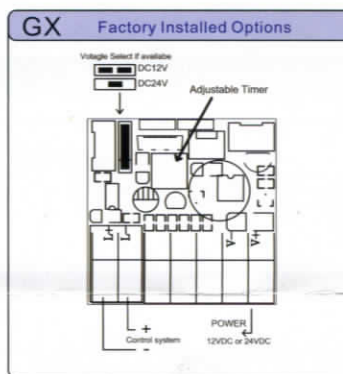
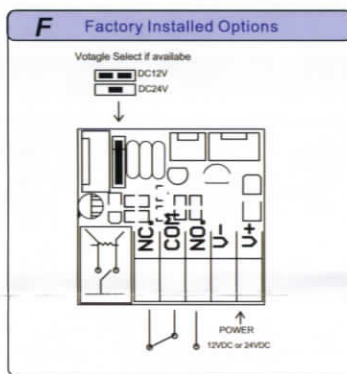
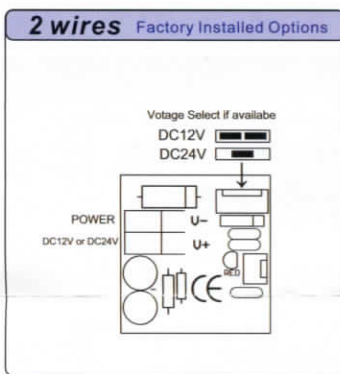
Single Type

Double Type	Main body size L2xW2xH2(MM)	Armature size AxBxC(MM)	Working Current	Holding force
M180D	340x37x21	130x33x11	12V/420mAx2 24V/210mAx2	2x350Lbs
M280D	500x42x25	180x38x13	12V/460mAx2 24V/230mAx2	2x600Lbs
M350D	492x51x27.5	158x47x13	12V/410mAx2 24V/220mAx2	2x800Lbs
M380D	500x56x33	180x52x13	12V/430mAx2 24V/210mAx2	2x900Lbs
M500D	530x66x39	185x60x14	12V/480mAx2 24V/240mAx2	2x1200Lbs

Single Type	Main body size L2xW2xH2(MM)	Armature size AxBxC(MM)	Working Current	Holding force
M180	170x37x21	130x33x11	12V/420mA 24V/210mA	350Lbs
M280	250x42x25	180x38x13	12V/460mA 24V/230mA	600Lbs
M350	246x51x27.5	158x47x13	12V/410mA 24V/220mA	800Lbs
M380	250x56x33	180x52x13	12V/430mA 24V/210mA	900Lbs
M500	265x66x39	185x60x14	12V/480mA 24V/240mA	1200Lbs

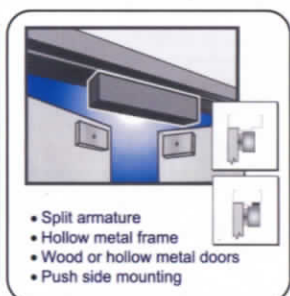
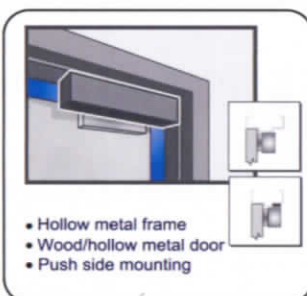
Hanging Type

Circuit board diagram



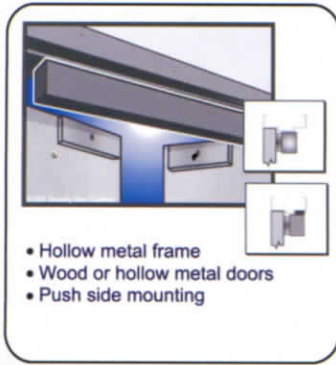
Hanging Type

Typical Door Applications



Hanging Type

Typical Door Applications



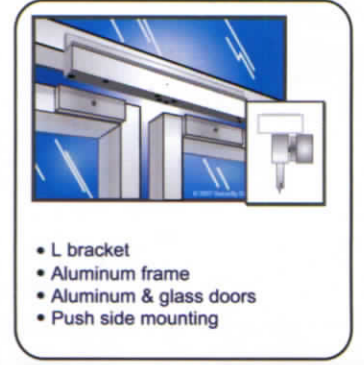
- Hollow metal frame
- Wood or hollow metal doors
- Push side mounting



- HDB Glass door mounting kit
- L bracket
- Metal or aluminum frame
- Glass door without top rail
- Push side mounting



- Full width architectural housing
- Specify length (762mm, 914mm, 1016mm, 1219mm)
- Aluminum frame
- Aluminum & glass door
- Push side mounting



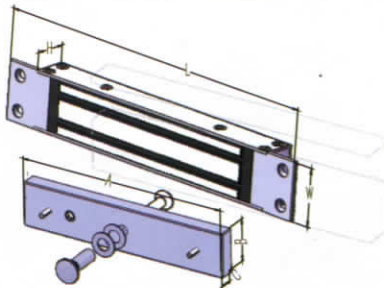
- L bracket
- Aluminum frame
- Aluminum & glass doors
- Push side mounting

Standard Mounting Fasteners

Self Drilling & Tapping Sheet Metal Screws and 10/32 Machine Screws supplied for different application needs. Blind Nut's and Tool are optional.

Mortise mount Type

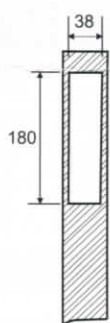
Electromagnetic Locks Feature



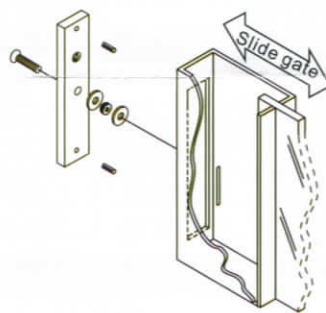
Single Type	Main body size LxWxH(MM)	Armature size AxBxC(MM)	Working Current	Holding force
M180A	190x32x22	130x33x11	12V/420mA 24V/210mA	350Lbs
M280A	252x42x25	180x38x13	12V/460mA 24V/230mA	600Lbs
M350A	247x51x27.5	158x47x13	12V/410mA 24V/220mA	800Lbs
M380A	252x56x33	180x52x13	12V/430mA 24V/210mA	900Lbs
M500A	258x66x39	185x60x14	12V/480mA 24V/240mA	1200Lbs

Mortise mount Type

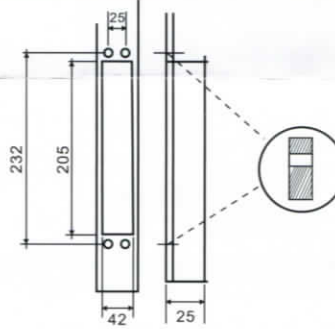
Typical Door Applications for example 280A series



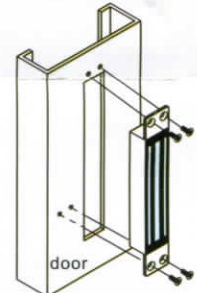
Hole size for Armature



Fixed screws



Hole size for Body



Fixed screws

Circuit Connection Diagram

